

### 3.3 T800-22-0000 Rack Frame Parts Lists

This section contains the following information.

<b>Section</b>	<b>Page</b>
<b>Mechanical And Miscellaneous Parts</b>	<b>3.3.3</b>
<b>T800-22-0000 Base Station/Repeater Rack Frame</b>	<b>3.3.5</b>
<b>Standard T800-22-0000 Rack Frame With Backplane PCB Mechanical Assembly</b>	<b>3.3.6</b>
<b>Standard T800-22-0002 Rack Frame Without Backplane PCB Mechanical Assembly</b>	<b>3.3.7</b>
<b>Blank Guide Kit Mechanical Assembly (T800-40-0001)</b>	<b>3.3.8</b>
<b>Double Guide Kit Mechanical Assembly (T800-41-0002)</b>	<b>3.3.9</b>
<b>PA Guide Kit Mechanical Assembly (T800-45-0000 &amp; T800-45-0001)</b>	<b>3.3.10</b>
<b>Power Supply Guide Kit Mechanical Assembly (T800-44-0000)</b>	<b>3.3.11</b>
<b>Speaker/Programming Port Mechanical Assembly (T800-15-0000)</b>	<b>3.3.12</b>



## T800-22-0000 Mechanical &amp; Miscellaneous Parts

IPN	Legend	Description	IPN	Legend	Description
001-00011-60		S/DIODE SR2607 Soldered to plug 15way D-Range 240-00020-55	353-00010-13		WSHR M3 S/PROOF INT BZ Speaker front panel
201-00030-03		WIRE T/C 7/0.2 PVC ORANGE 295mm PA to Backplane	353-00010-16		WSHR M3 FIBRE 8MM OD X 1.5MM Speaker front panel
201-00030-04		WIRE T/C 7/0.2 PVC YEL 297mm PA to Backplane	365-00011-54		LABEL R1556/2 90*24MM
201-00030-05		WIRE T/C 7/0.2 PVC GRN 295mm PA to Backplane	365-01371-00		LABEL RACKFRAME 110X145MM
201-00030-06		WIRE T/C 7/0.2 PVC BLUE 293mm PA to Backplane	369-00010-14		TIE CABLE NYLON 100*2.6MM
201-00030-07		WIRE T/C 7/0.2 PVC VIOLET 297mm PA to Backplane	369-00010-14		TIE CABLE NYLON 100*2.6MM
201-00030-08		WIRE T/C 7/0.2 PVC GREY Speaker to programming port connector	369-00010-20		TIE CABLE NYLON SPIRAL 6MM ST6
201-00030-10		WIRE T/C 7/0.2 PVC BLACK Speaker to programming port connector	369-00010-24		BASE CABLE TIE MTG S/AD
201-00050-25		AUTO 154 RED 41/0.3 PVC 350mm PS to Fuse 350mm Fuse to PA socket 300mm PA to Backplane	399-00010-51		BAG PLASTIC 75*100MM
201-00050-26		AUTO 154 BLACK 41/0.3 PVC 550mm PS to PA socket 300mm PA to Backplane	399-00010-53		PLASTIC BAG 150X250MM
205-00010-42		CABLE 6W OVAL TELE INT COLOURS Programming port to backplane PCB connector	410-00002-10		PKG T291/2 OUTER CARTON
220-01410-00		PCB RJ11 B/HD RACK SER II Connects cable from programming port to backplane PCB	410-00002-21		PKG POLYST T800 RACK-FRAMES
240-00020-08		PLUG MODUL PHONE 6W OVAL CABLE Connects cable to backplane PCB			
240-00020-53		PLUG 6 W 2*3 FLAT CABLE TERMN Programming port/speaker to backplane PCB connector			
240-00020-55		PLUG 15 W D RANGE PNL MTG105 C Connects to SK5			
240-02010-54		SKT 15W DRANGE PNL MTG 125 C PA/SK5 cable			
240-04020-53		SKT 6 W 2 R (3X2) PCB MTG Speaker panel/programming socket/ PCB connector			
240-04023-00		SOCKET RJ11 BULK HEAD Connects programming cable			
240-06010-14		CLAMP LATCHING 15 W D RANGE D-range cover			
250-00010-19		SPKR A3M2520			
265-00010-67		FUSE 30A 6X32MM SLOW BLOW			
307-01015-01		GRILLE SPKR 307-01015-00 BLK			
316-06616-00		PNL FRT SPKR SINGLE SER II			
316-80002-00		PACKING A4M1752 PROTECT FOAM			
345-00040-11		SCRW M3X10MM P/POZ ST BZ Holds backplane PCB onto rack frame			
345-00040-20		SCRW M3*8MM BUTTON SKT HD Holds speaker grill onto front panel			
352-00010-08		NUT M3 COLD FORM HEX ST BZ Speaker front panel			

**Note 1:** This parts list contains all those parts not listed on the drawings which follow.

**Note 2:**

Replace 345-00040-11 Screw M3x10 mm p/poz  
With 349-00020-36 Screw TT M3x8 mm  
Pan Torx

Reason Smaller screw now required.

Add 360-00010-05 Grommet 5/8 inch plastic  
Reason Not previously included

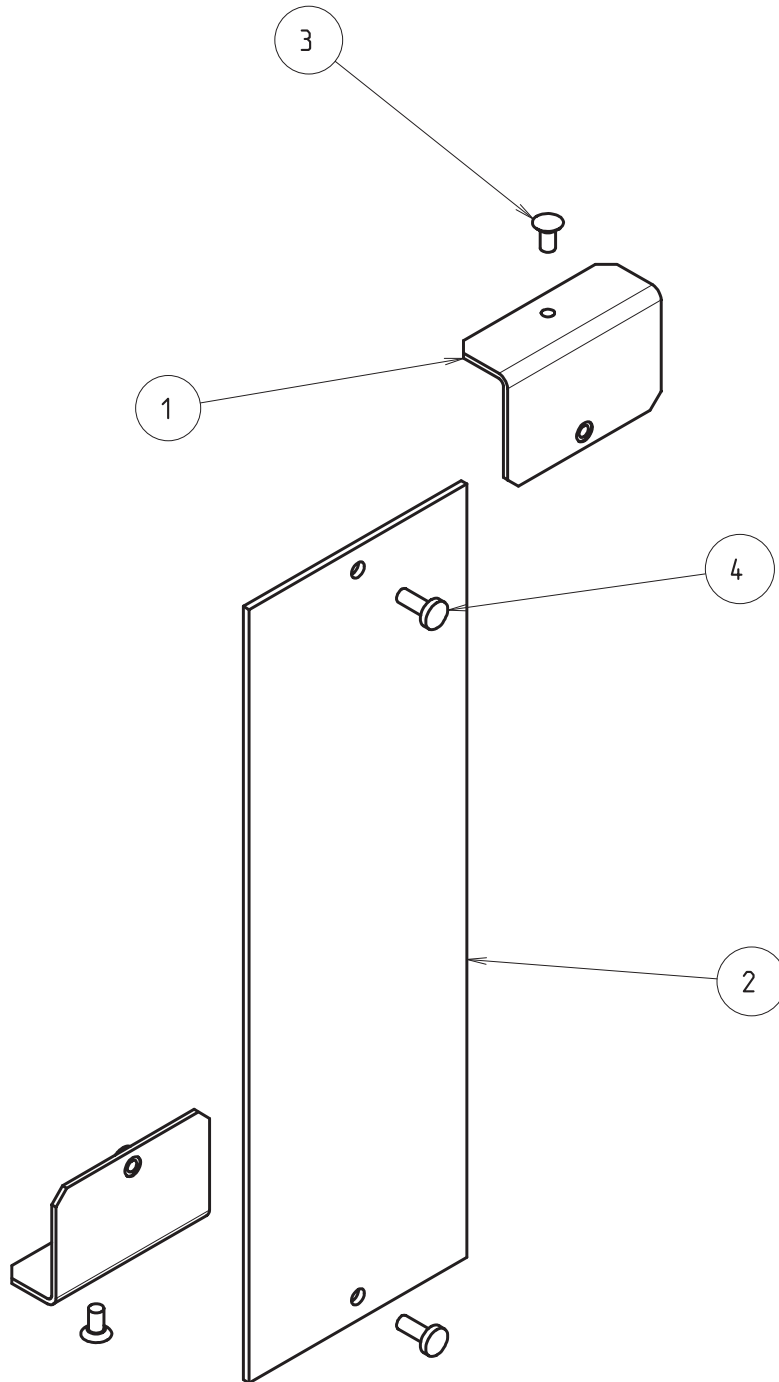


Insert A3 T800-22-0000 Base Station/Repeater Rack Frame A3

Insert A3 T800-22-0000 With PCB drawing

Insert A3 T800-22-0000 Without PCB drawing

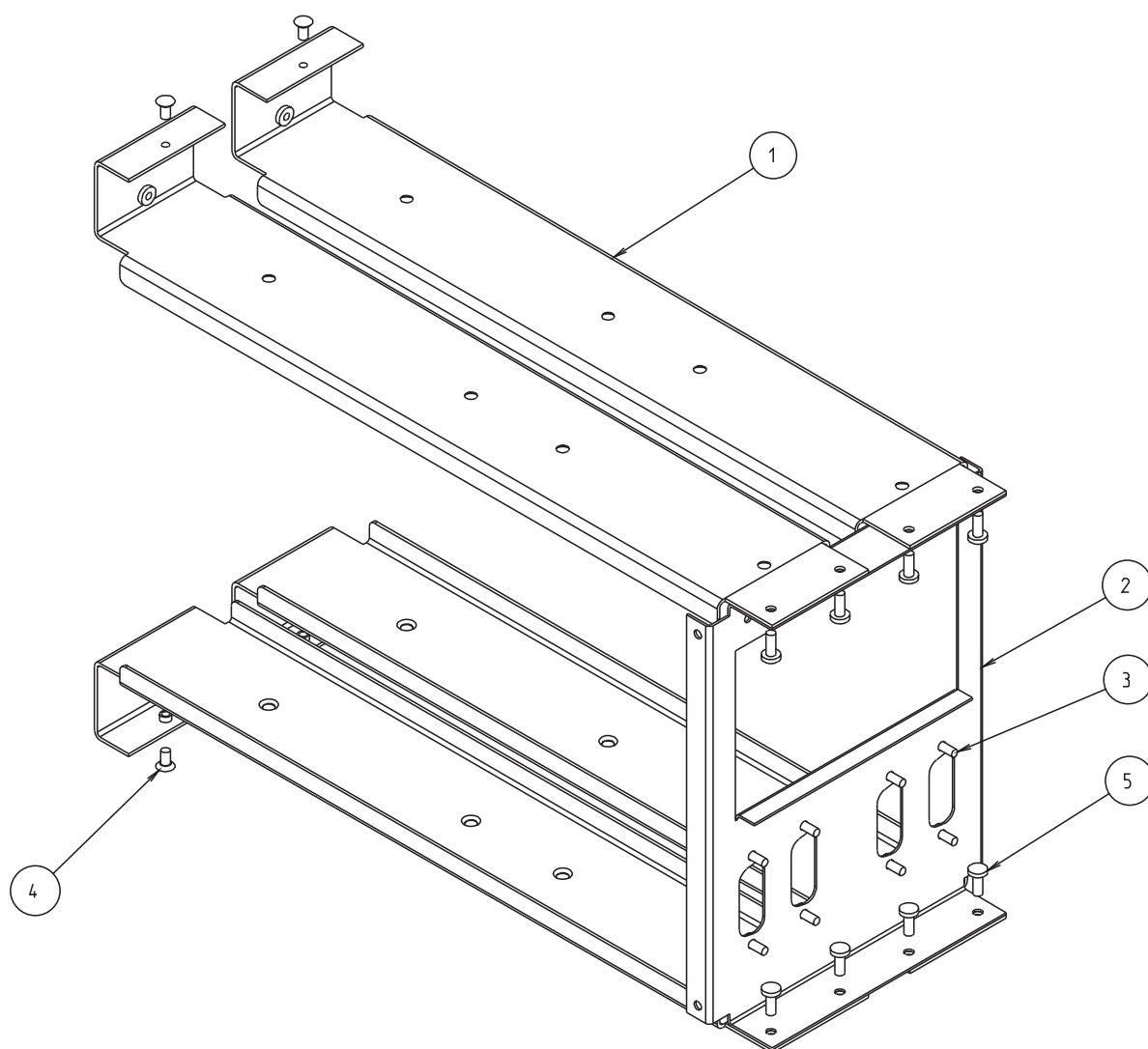
IPN/ Product Code	Legend	Description
307-02046-00	1	Guide, Blanking
316-06615-00	2	Blank Panel
349-00020-33	3	M3x6 CSK Pozi Taptite
349-00020-36	4	M3x8 Pan Torx Taptite



**T800-40-0001 Blank Guide Kit  
Mechanical Assembly**

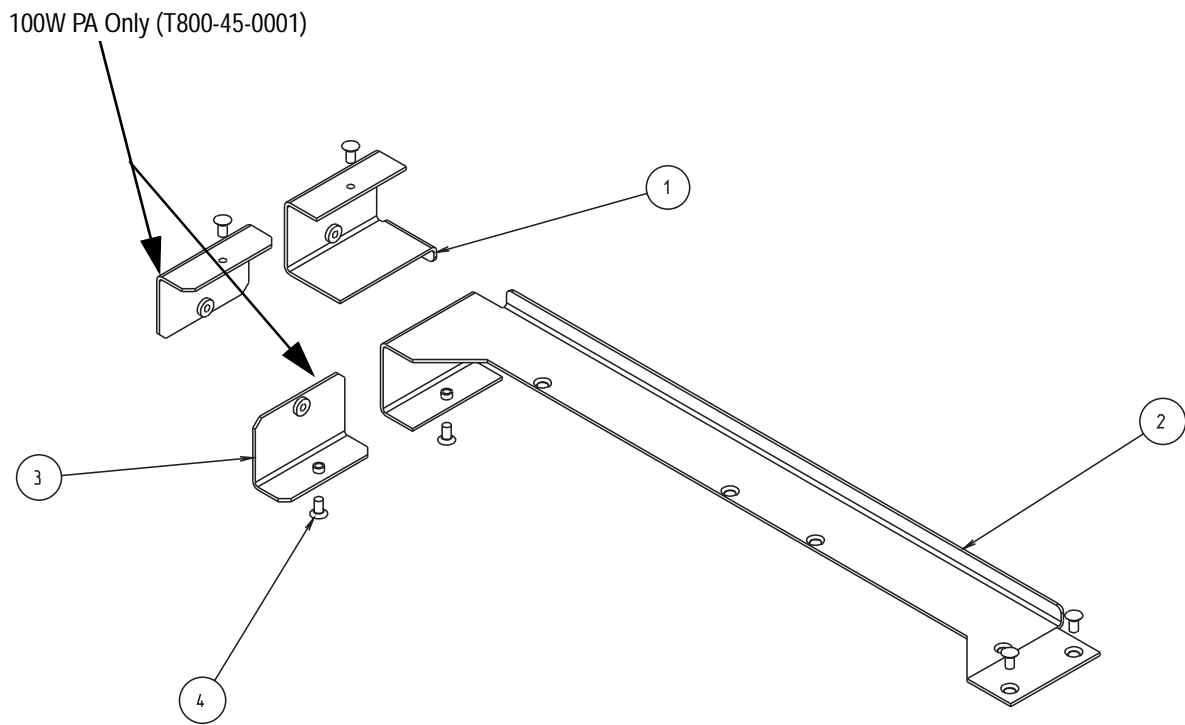


IPN/ Product Code	Legend	Description
307-02045-00	1	Guide, T800 Module
316-21189-00	2	Rear Panel, Double
349-00020-06	3	4-40x1/4 Pan Pozi Taptite
349-00020-33	4	M3x6 CSK Pozi Taptite
349-00020-36	5	M3x8 Pan Torx Taptite



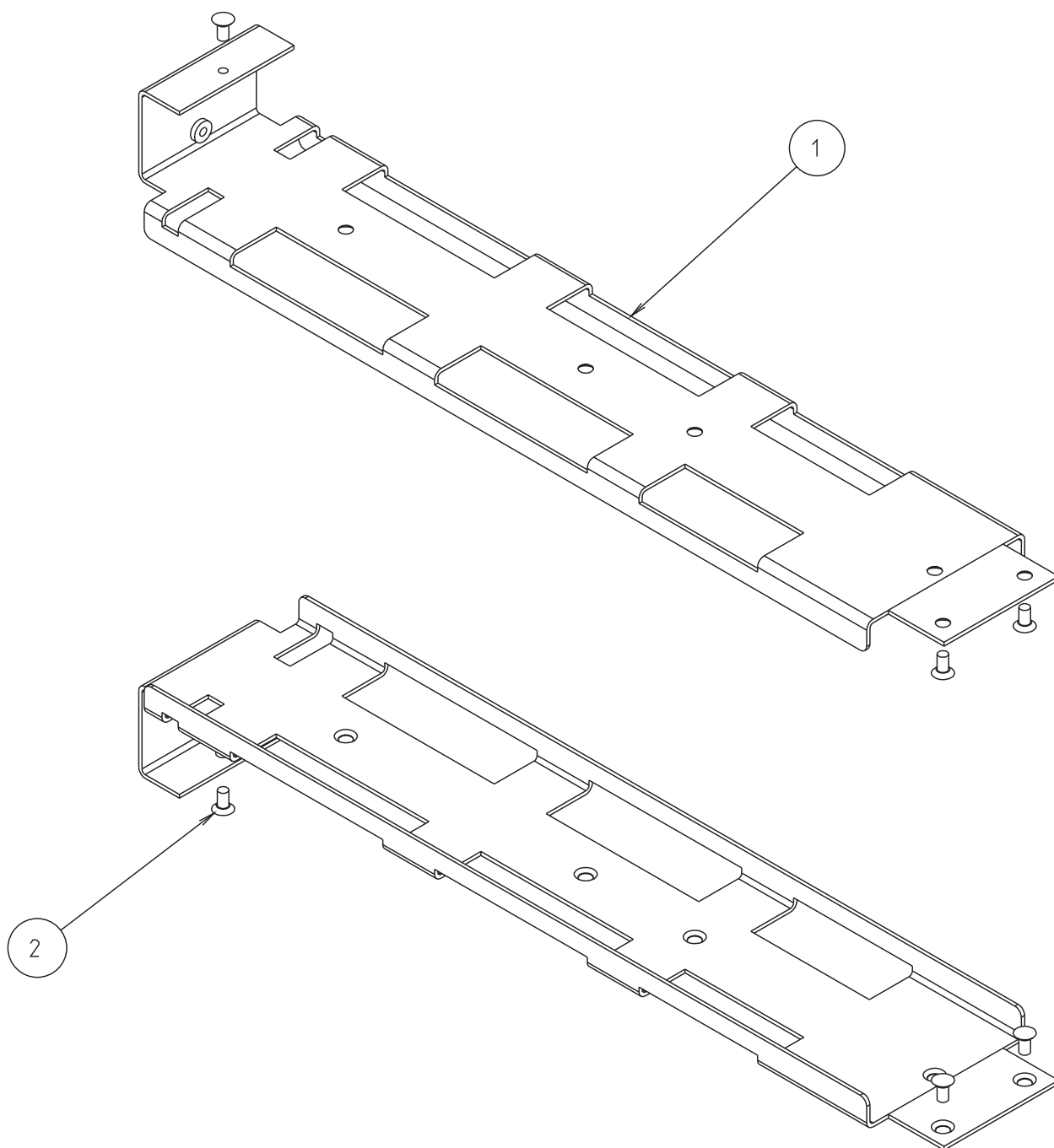
**T800-41-0002 Double Guide Kit  
Mechanical Assembly**

IPN/ Product Code	Legend	Description
307-02042-00	1	Guide, PA Stop
307-02043-00	2	PA Guide Rail
307-02046-00	3	Guide, Blanking
349-00020-33	4	M3x6 CSK Pozi Taprite



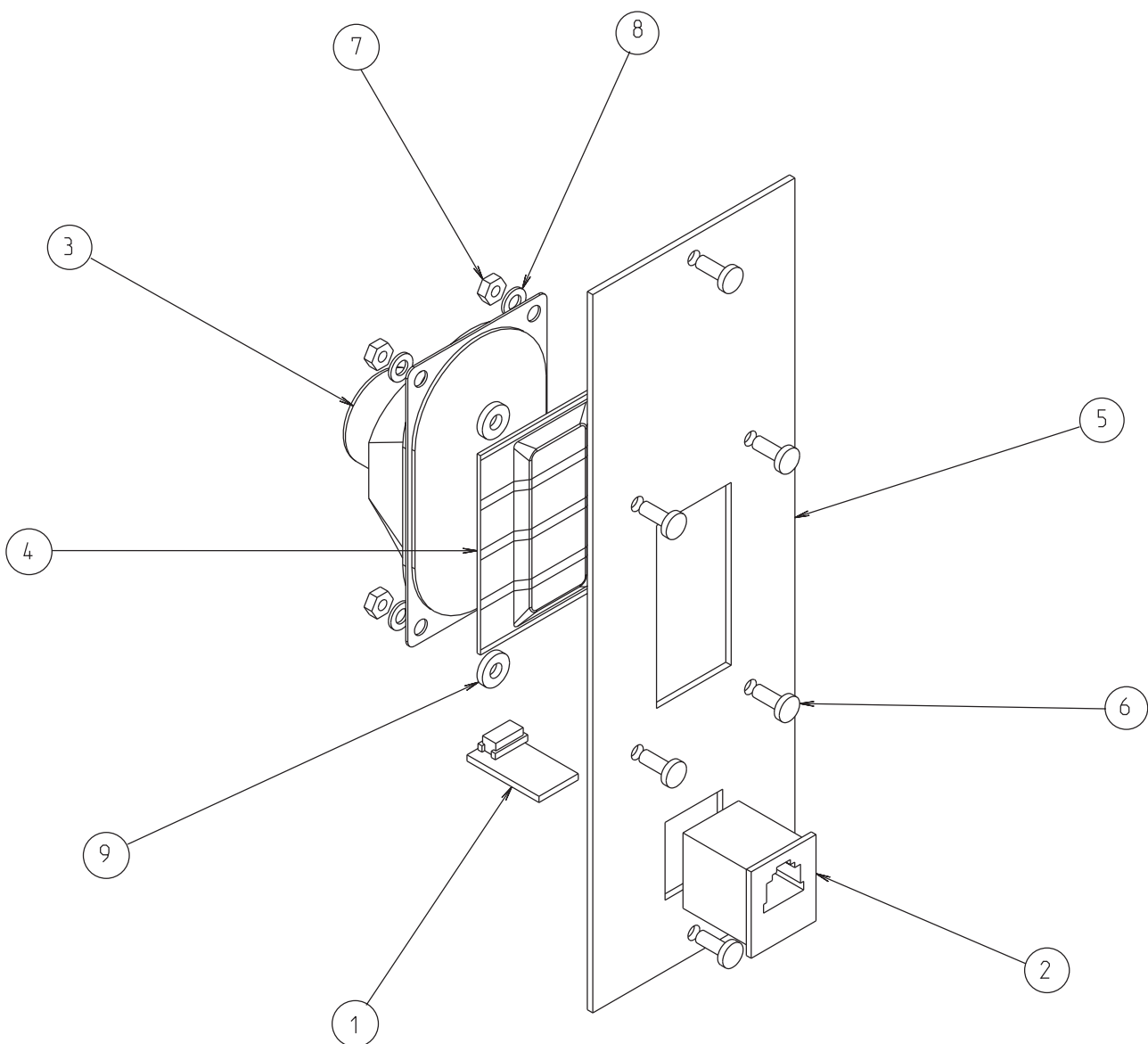
**T800-45-0000 PA Guide Kit  
Mechanical Assembly**

IPN/ Product Code	Legend	Description
307-02044-00	1	Guide, Power Supply
345-00040-09	2	M3x6 CSK Pozi



**T800-44-0000 Power Supply Guide Kit  
Mechanical Assembly**

IPN/ Product Code	Legend	Description
220-01410-00	1	PCB RJ11 Bulkhead
240-04023-00	2	Socket RJ11 Bulkhead
250-00010-19	3	Speaker, 4 Ohm 5 Watt
307-01015-01	4	Speaker Grille, Metal
316-06616-00	5	Speaker Panel
349-00020-36	6	M3x8 Pan Torx Taptite
352-00010-08	7	M3 Cold Form
353-00010-13	8	M3 Shakeproof Int
353-00010-16	9	M3 Fibre Washer 1.5T



**T800-15-0000 Speaker/Programming Port  
Mechanical Assembly**